

Ultra-thin LCD Monitor Lift with Retractable Screen

Introduction:

LCD monitor lift was advance hidden LED monitor, touch monitor for audio video conference system in office furniture.

Professional retractable data monitor to be integrated into meeting and conference room tables.

The FHD screen of monitor lift could be retractable rising up and down vertically. Lifting monitor up from tabletop automatically by controller;

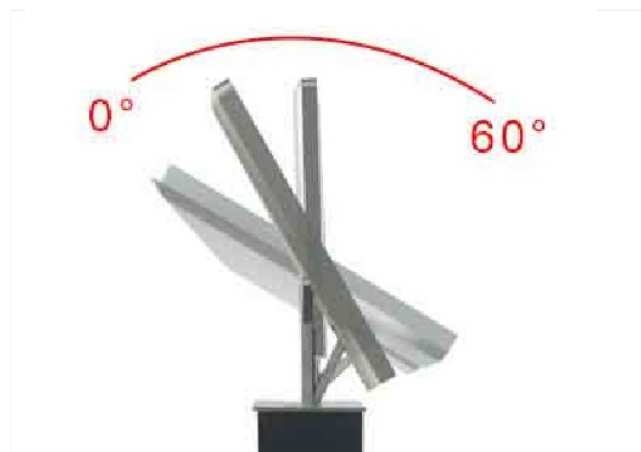
Motorized lifting screen down and hidden into under table if finish using.

The screen inside the LCD monitor lift mechanism would be power off if down to bottom accordingly;

screen will be power on automatically if reached the top.

It's s whole system design which integrated FHD screen with motorized lift.

Only 11cm thickness whole mechanism with 15.6 Inch, 17.3inch and 18.5 inch,21.5 inch FHD Samsung brand screen.



Feature:

1, 11cm slim design with HD screen, available for 15.6 inch, 17.3inch, 18.5 inch and 21.5 inch.

2, Solid mechanized aluminum brushed hosing in anodized finishing.Upper cover plate in brushed aluminum alloy.

3, 12V step motor with simultaneous drive for multiple movements.

4, Electric powered lift system with variable speed, Vertically silent Operation.

5, Custom Color aluminum anodization. LCD monitor lift is available for aluminum silver, black matte, aluminum gold, oxidation titanium.

6, Desk LCD monitor lift provides protecting function of HD screen monitor by cutting electricity off automatically if reach the monitor lift bottom and powering screen on if reach the top.

7, Screen of motorized monitor lift angle adjustable available from 20 degree to 45 degree as required.

8, Touch switch on top panel, RF remote control which come with monitor lift mechanism; RS232 button with input; control all screen up and down together at the same time.

Detail Parameter:

	Model No.	KVC-ML2160T
Material	Surface Panel	Brushed aluminum alloy
	Monitor Shell	Brushed aluminum alloy
Dimension	Panel	630*110*4mm
	Case	610*100*650mm
	Monitor Frame Size	530*324*35mm
Information	Pitch Angle	0~45~60 degree
	Switch	up/down/stop
	Panel Input	USB+Computer Power Switch
Selection	Color	Aluminum silver/ black
	Pitch Angle	Adjustable 45°-90°
	Case bottom input	USB/HDMI+RS232 I/O
Monitor	Size	21.5 LED screen
	Screen Type	Capacity Touch Screen
	Point	Multi-point Touch
	Format	16: 9
	Resolution	1920*1080
	Viewing Angle	80/40
	Pixel resolution	0.2
	Frequency	60Hz
	Brightness	400
	Contrast Ratio	650: 1
	Response Time	16
	Display Color	16.7 M (10 bit)
	Power Consumption	245
	Speed	120
	Voltage	12
Power	Working Voltage	110~240VAC
	Power	35W~55W
	Working Frequency	50/60Hz

Warranty:

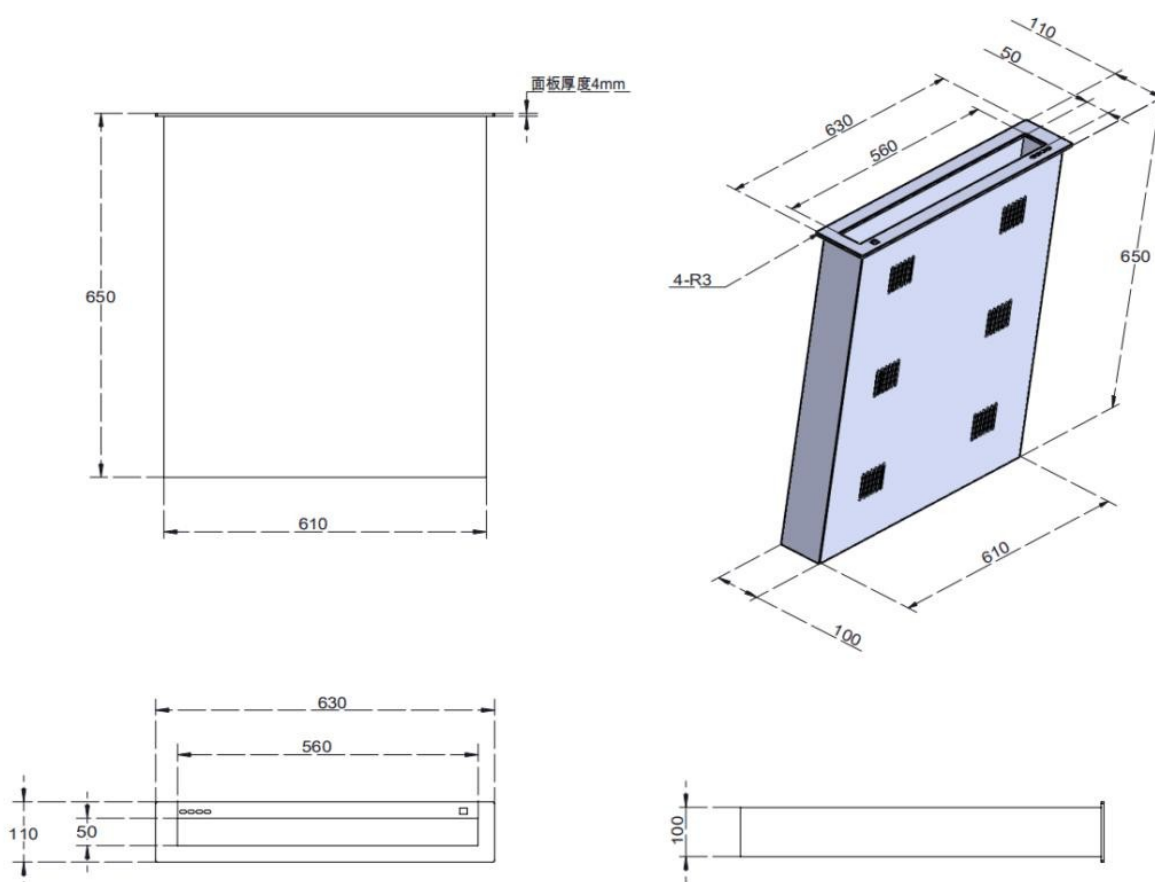
2 years Mechanical
 1 years optical extendable at inception with surcharge E&OE
 Sustainable materials and manufacturing

Scope Of Supply:

External Power Supply
 Power Cord-1.5m
 Output:12V,5A
 Input: 100-240V,50/60HZ,1.5A

Certification: CE, ROSH,SASO

KVC-ML2160 Drawing:



Control Option

- 1, Switch button on top surface panel
- 2, Wireless remote control
- 3, Third Party central controller, like AMX/Crestron
- 4, Office paperless software mobile phone control

Customized Option:

- 1, Integrated with multi touch screen overlay
- 2, Integrated with conference microphone
- 3, Integrated with touch all in one PC.
- 4, Integrated with FHD camera
- 5, Surface panel & monitor shell could be anodized in different color as request.

Application:

LCD Monitor Lift with HD screen all in one system is widely used on conference system, like video conference system, TV conference system, financial analyzing system, advanced office system, lecture and training room with conference table.

